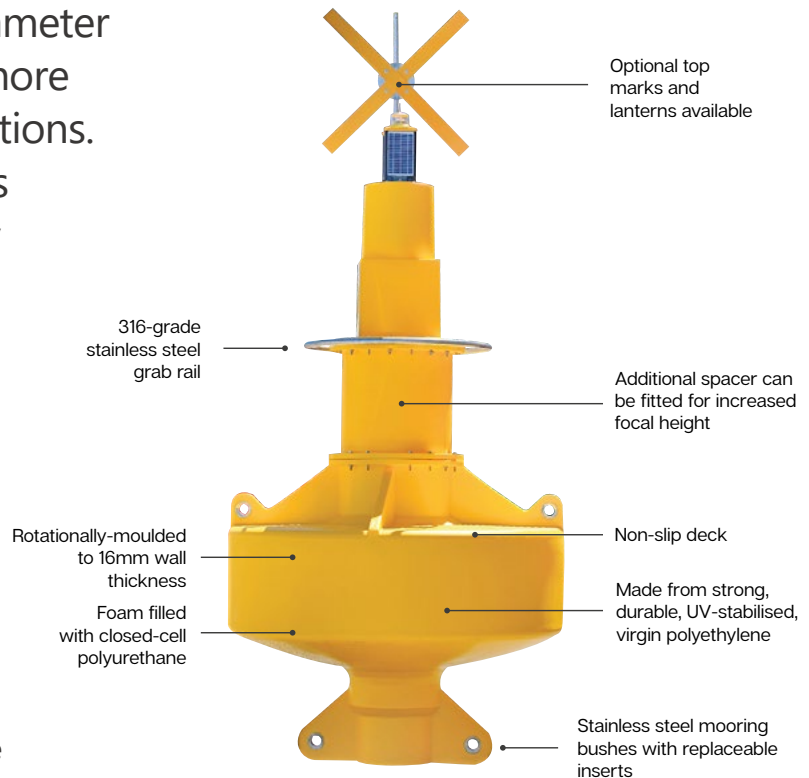


The **POSEIDON-1750** is a 1.75m diameter navigational buoy designed for offshore port, coastal and inland river applications. Their all-polyethylene design inhibits marine growth and operates reliably with minimal maintenance.

### Key Features:

- Three-part construction for ease of deployment and servicing
- All polyethylene design and foam filled with closed-cell polyurethane
- Float section incorporates 316-grade stainless steel tie bars for added strength
- Additional spacer option to increase focal height
- Mid section larger secondary battery enclosure available as an option



### Ease of Deployment

Supplied in three rotationally-moulded parts for ease in deployment and servicing.

### Colour Configuration

Separate colours for each section is available to meet IALA colour/configuration recommendations.

### Excellent Buoyancy and Stability

Float section is foam filled with closed-cell polyurethane for excellent buoyancy and in the event of collision by a vessel it helps keep the buoy upright.

### Durable

Two large lifting and mooring points interconnected by 316-grade stainless steel tie-bars provide greater strength.

### Cost Effective

The polyethylene material inhibits marine growth, so the buoy requires less cleaning, less often than steel types. This assists in reducing maintenance costs.



SL\_POSEIDON 1750\_SPEC\_EN\_V2.1

### General Characteristics

Available Colours	Red, Green, White, Yellow as per IALA Recommendations
Focal Plane Height (mm/inches)	2600 / 101.8" (standard) 3090 / 121.625" (with spacer)
Total Float Volume (ltrs/US gallons)	1815 / 480
Nominal Freeboard (mm/inches)	545 / 21.5"
Nominal Draft (mm/inches)	710 / 28"
Total Reserve Buoyancy (kgs/lbs)	1387 / 3058
Operational Buoyancy (kgs/lbs)	600 / 1323
Maximum Mooring Load (kgs/lbs)	600 / 1323
Draft, Maximum (mm/inches)	955 / 37.6"
Freeboard, Minimum (mm/inches)	300 / 11.8"
Safe Working Load, 1pt (kgs/lbs)	2300 / 5070
Safe Working Load, 2pt (kgs/lbs)	3250 / 7165
Submergence (kgs/cm) / (lbs/inch)	24.5 / 137
Visual Area (m <sup>2</sup> /ft <sup>2</sup> )	1.9 / 20.4

### Certifications

IALA	Surface colours compliant to IALA E-108
Quality Assurance	ISO 9001:2015

### Physical Characteristics

Material	Rotationally-moulded UV-stabilised virgin polyethylene, internal 316-grade stainless steel bracing, 316-grade stainless steel fittings, slip resistant platform
Wall Thickness (mm/inches)	16 / 0.625" (float section)
Ballast (kg/lbs)	150 / 330 (internal concrete)
Filling	Closed-cell polyurethane foam (float section)
Height (mm/inches)	4045 / 159"
Width (mm/inches)	1750 / 68.875"
Mass (kg/lbs)	428 / 944
Radar Reflector	Echomax 230 Midi (RSC 10m <sup>2</sup> per RORC/ORC)
Product Life Expectancy	>20 years <sup>^</sup>

### Other

Lantern Options	Sealite SL-75, SL-C310 Series, SL-C510 Series, SL-125 Series or SL-155 Series
Options Available	<ul style="list-style-type: none"> <li>• Custom signage</li> <li>• Solar power supplies</li> <li>• Monitoring Systems                             <ul style="list-style-type: none"> <li>- AIS</li> <li>- GSM</li> <li>- SATCOM</li> </ul> </li> </ul>
Warranty*	5 years

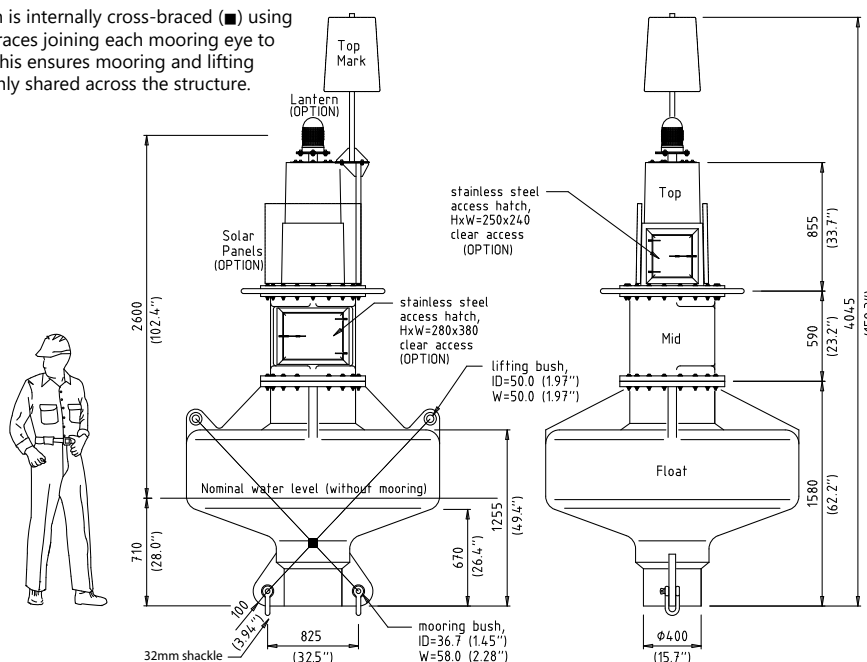
### Intellectual Property

Trademarks	SEALITE® is a registered trademark of Sealite Pty Ltd
------------	---

CE • Specifications subject to change or variation without notice \* Subject to standard terms and conditions  
 † Intensity setting subject to solar availability ^ Refer to the Sealite website under the warranty section

## Technical Illustrations

The float section is internally cross-braced (■) using stainless steel braces joining each mooring eye to the lifting eye. This ensures mooring and lifting stresses are evenly shared across the structure.



POSEIDON-1750 Wreck Marking Buoy

SL\_POSEIDON 1750\_SPEC\_EN\_V2.1